

ES8000 V-Lock

General Information

The ES8000, also known as the V-lock is a high torque motorised bolt that moves from the vertical position to the horizontal state when locked. The bolt moves into the V shaped strike plate pulling the door aligned with the lock. The high torque motorised bolt can be concealed from view or surface mounted and has the worlds first fail-open motor locking mechanism which eliminates the need and cost of an additional key override function.

Slim design with classic satin stainless steel faceplate, and significant 7mm overall (+/- 3.5mm) door misalignment tolerance make ES8000 a product with great aesthetic appearance as well as easy installation.

Features

- SIDE LOAD - PRE LOAD Capable
Lock will unlock with up to 15kg of side pressure, when wired in 3 wire mode. (1 x Permanent Power, (positive 12-24Vdc) wire. Negative (0 volt return) wire, and 1 x Switching input (positive 12-24Vdc) wire)
- Door misalignment of up to 3.5mm +/-
- Power to Lock (Fail Safe) / Power to Open (Fail Secure) field configurable
- HIGH TORQUE Motorised locking and unlocking (3 wire mode)
- High Speed Operation. Unlocks in less than 1 second
- Surface Mount Accessory Kit. Ideal for 180° swing through glass door applications
- Multiple Orientation – Interior Doors
Can be mounted vertically or horizontally (For exterior doors ES8000 must be mounted horizontally)

Applications

- Misaligned doors
- Timer Doors
- Glass Doors



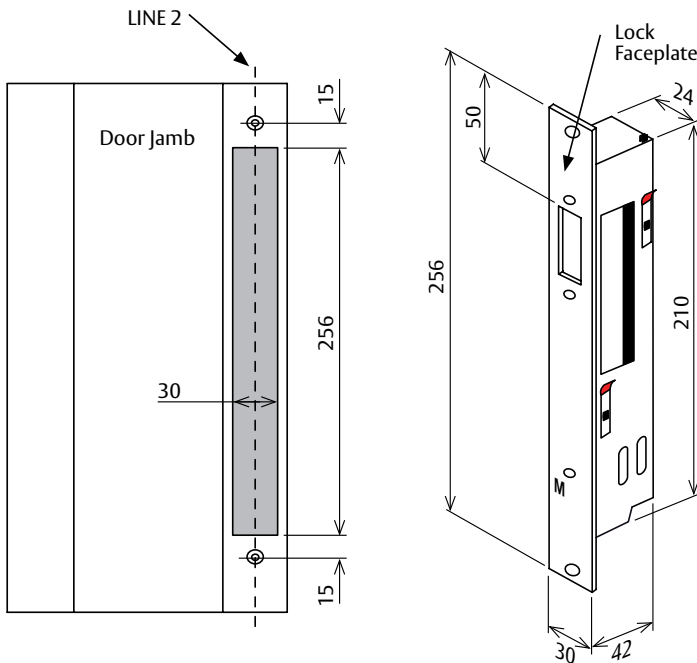
Standards and Compliance

SCEC Endorsed (Intruder Resistant Bracket Required)

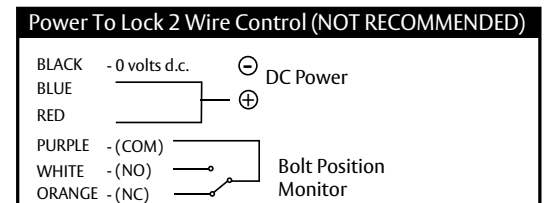
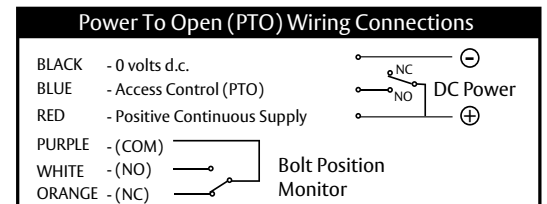
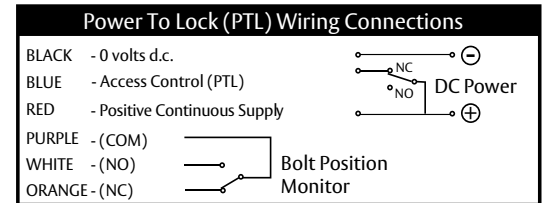


Successfully fire rated up to 4hrs on fire door assemblies in accordance with AS1905.1. 2005 (Part 1: Fire resistant door sets).

ES8000 V-Lock



Wiring below shows lock in locked position



ES8000 V-Lock Technical Information

| | |
|--------------------|--|
| Voltage | 12 to 24Vdc, Voltage Tolerance 12V (+15% -0%) 24V(+/- 15%) |
| Current | Minimum 1 Amp Regulated Supply |
| Monitoring | COM, NO, NC Voltage free changeover contacts rated at 48 dc/100mA |
| Security | Passed S3 (AS4145.2- 1993) |
| Strength | Maximum 1000kg (with supported strike plate) |
| Side Load | Side Load rated: Motorised Unlocking – 15kg max at bolt Fail Safe Unlocking – 3kg max at bolt |
| Endurance | 300,000 operations |
| Environment | Operational temperature range -20°C to + 60°C |
| Lock Body | Stainless Steel Lock Body and Faceplate |
| Bolt | 11 mm diameter, 20.5mm projection |

Ordering Information

| Product Description | Part Number |
|---|-------------|
| ES8001 V-Lock 12vdc Fail Safe 30mm F/P | 108001-010 |
| ES8002 V-Lock 12vdc Fail Secure 30mm F/P | 108002-010 |
| ES8001 V-Lock 12vdc Fail Safe 30mm F/P - Scec Endorsed | 108001-100 |
| ES8002 V-Lock 12vdc Fail Secure 30mm F/P - Scec Endorsed | 108002-100 |
| Accessories | |
| ES8000 V-Lock Glass door housing (Incl dress plate & fixing tape) | 208000-000 |
| ES8000 V-Lock strike plate with magnet (spare part) | 208000-003 |

Specification Statement

The lock must be a high torque motorised bolt with Preload tolerance. The strike plate must be shaped in a V format to accommodate for misaligned doors. Lock will unlock with up to 15kg of side pressure and will be powered with 12-24v and draw no more than 1000mA. The lock must be configurable for Power to Lock (Fail Safe) or Power to Open (Fail Secure). The lock must be triggered with a magnet positioned in strike plate, and be monitored for locked unlocked and door position.